

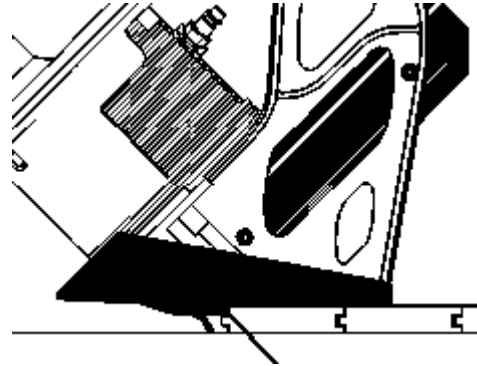


TECHNICAL NOTE

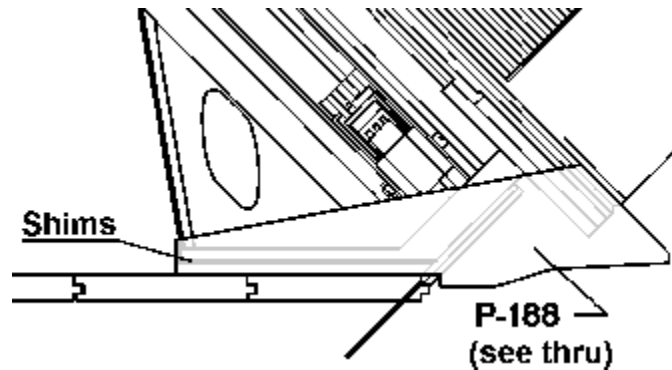
Adjusting the P210, P220, P240 & P260 Nailers for Hardwood Thickness



To fasten $3/4$ " or $25/32$ " flooring, no adjustment to the tool is required. Use the standard P-433 plastic base (black).



To fasten $1/2$ " flooring, install optional adapter kit P-188. If necessary, use one or two shims (supplied) to insure that the gate/foot do not sit on the tongue. Insert shims between main body and plastic base as shown.



To fasten $33/32$ " flooring, remove tool base P-433 as shown. Apply self-adhesive Teflon base P-986 to prevent scratching.

