

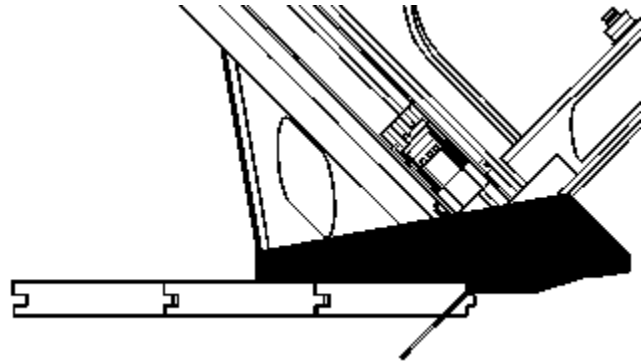


## TECHNICAL NOTE

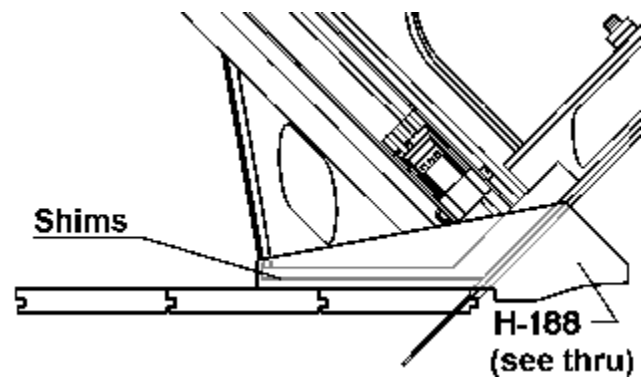
# Adjusting the H300/H330 Nailers for Hardwood Thickness



To fasten  $3/4"$  or  $25/32"$  flooring, no adjustment to the tool is required. Use the standard H-108 plastic base (black).



To fasten  $1/2"$  flooring, install optional adapter kit H-188. If necessary, use one or two shims (supplied) to insure that the gate/foot do not sit on the tongue. Insert shims between main body and plastic base as shown.



To fasten  $33/32"$  flooring, remove tool base H-108 as shown. Apply self-adhesive Teflon base P-986 to prevent scratching.

