

PRIMATECH Q500 MANUAL NAILER

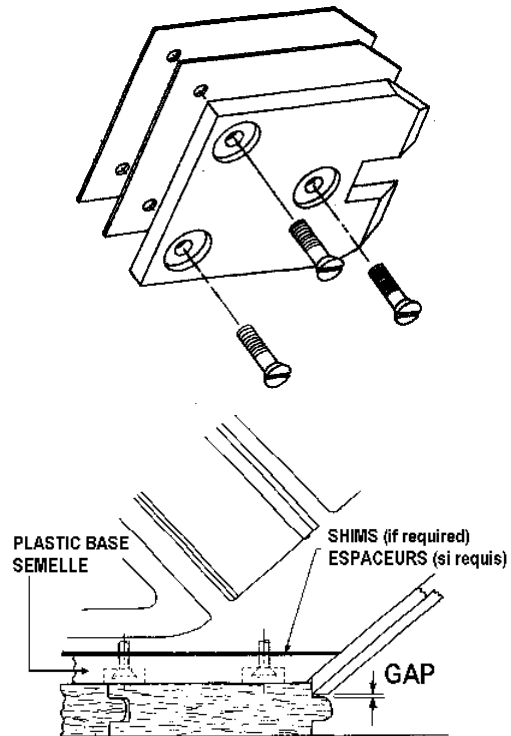


ADJUSTMENT OF THE NAILER TO MATCH FLOORING PROFILE

Profiles of laminated and solid hardwoods may vary according to the manufacturers. This package includes three bases (black, grey and blue) and two thin shims (white). Use one of the bases as follow:

- Q-290 Black 3/8" thickness flooring
- Q-300 Grey 1/2" thickness
- Q-305 Blue 5/8" thickness

Install the proper base and use one or two white shims, if required, to ensure the smallest gap as indicated on the diagram. Make sure that the gate/foot assembly does NOT touch the tongue.



© Copyright 1996-2005 Primattech. All right reserved. [Disclaimer](#). Comments to [webmaster](#).